

B601-E
Plug-in Detector Base
 Section: Mounting Kits, and Accessories

General

B601-E Plug-in Detector Base is used with NOTIFIER® ND700 series Intelligent Detectors. B601-E detector base is compatible with the ND-751P-E Intelligent Plug-in Photoelectric Smoke Detector heads and ND-751T-E Intelligent Plug-in Thermal Detector heads. This base is intended for use in 2-wire systems, with screw terminals provided for signal connections.

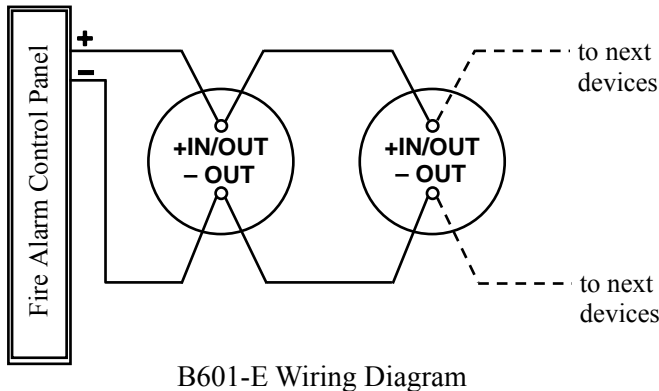
Specifications

- Voltage Range : 15 ~ 32VDC
- Standby Current : 735µA, 24VDC at Normal
- Max. Alarm Current : 1.5mA
- LED Current: 3.5mA, 24 VDC
- Operating Temperature : -10°C ~ 55 °C
- Relative Humidity : 10% ~ 95%RH, non-condensing
- Dimensions :
 - Diameter : 102mm
 - Height : 15mm



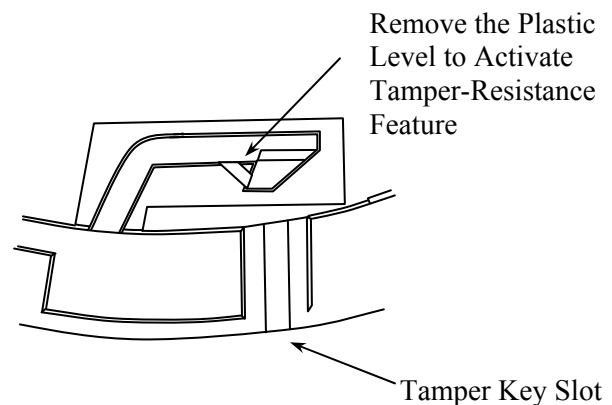
B601-E Plug-in Detector Base

Wiring



Tamper-Resistance Feature

B601-E detector base includes a tamper-resistance feature that prevents removal of detector. Remove the plastic level to activate tamper-resistance feature. Once the detector is installed, it can be removed by insert the tamper key into the slot on the side of the base and rotate the detector anticlockwise to release it.



NOTIFIER® is registered trademark of Honeywell International Inc.
 ©2006 Honeywell International Inc. All rights reserved.
 Unauthorized use of this document is strictly prohibited.

This document is not intended to be used for installation purposes. We try to keep our product information up-to-date and accurate. We cannot cover all specific applications or anticipate all requirements. All specifications are subject to change without notice. For more information, please contact NOTIFIER. Phone: +886 (2) 22487171 Fax: +886 (2) 22450927